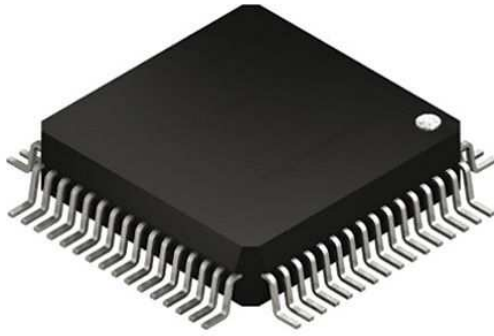




## Space Ethernet Physical Layer

The high-reliability 10/100Mbps Ethernet physical layer transceiver



Product Preview – Available in 2018

### Key Benefits

- ✓ 10/100 Base-TX Ethernet physical layer transceiver
- ✓ Media Independent Interface (MII) and Reduced MII (RMII) support
- ✓ Low power consumption < 500 mW
- ✓ Package: 64-Pin QFP
- ✓ Temperature range: -55 °C to +125 °C
- ✓ Radiation tolerant

SEPHY is an extremely robust transceiver for Ethernet 10BASE-T and 100BASE-TX using category 5 unshielded twisted-pair cabling. This high-reliability physical layer device features enhanced ESD protection, MII and RMII for maximum flexibility in MPU selection and comes with an affordable, compact 64-pin PQFP package.

The chip has been developed on a radiation hardened 150 nm mixed signal SOI process to ensure the reliability in harsh radiation environments. The device is packaged in a cost-efficient plastic flat pack for the use in high-volume applications. However, the chip will also become available in a space grade ceramic package.

### Applications

SEPHY can be used in a wide range of applications reaching from industrial to aerospace. However, the radiation tolerant design of the analog and digital blocks within the chip supports high-reliability in harsh radiation environments in particular (aeronautics and space) which is enabled by the wide operational temperature range.

### Supported Ethernet Standards

SEPHY complies with a wide range of Ethernet standards including IEEE 802.3u (like MII, Parallel Detection, ENDEC, 10BASE-T transceivers and filters, PCS, 100BASE-TX transceivers and filters). The chip also supports RMII Rev. 1.2 and MII Serial Management Interfaces (MDC and MDIO).



### Application Fields

- Space (launch vehicles and satellites)
- Aeronautics
- Defence

## General Product Features

- Full Duplex support for 10/100 Mb/s
- ANSI X3.263-1995 compatible
- IEEE 802.3u Parallel Detection
- IEEE 802.3u ENDEC, 10BASE-T Transceivers and Filters
- IEEE 802.3u PCS, 100BASE-TX Transceivers and Filters
- IEEE 1149.1 JTAG
- Programmable loopback models for easy system diagnostic

## Power Supply and Consumption

- 3.3V MAC Interface
- Low-Power 0.15- $\mu$ m SOI Technology (< 500 mW Typical)

## Host Interfaces

- RMII Rev. 1.2 Interface (Configurable)
- MII Serial Management Interface (MDC and MDIO)
- IEEE 802.3u MII

## Environmentals

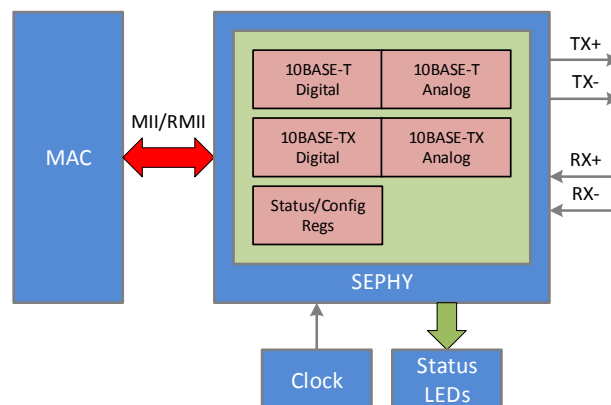
- Temperature range: -55°C to +125°C
- Cold spare functionality
- Radiation tolerance:
  - TID greater than 100krad
  - SEU threshold LET 30MeV/mg/cm<sup>2</sup>
  - SEU Error Rate lower than 10<sup>-10</sup> errors/bit-day (@ < 70 MeV/mg/cm<sup>2</sup>)
  - SEL Threshold LET greater than 60 MeV/mg/cm<sup>2</sup>

## Package & Quality Level

- Lead Free 64-Pin PQFP Package
- Mil, DLA-QML and ESCC-QML

## Order Numbers

- On request



## Partners



innovations  
for high  
performance  
microelectronics



UNIVERSIDAD  
NEBRIJA



MICROCHIP

Atmel

TTTech

ThalesAlenia  
Space  
a Thales / Leonardo company

## CONTACT

ARQUIMEA INGENIERÍA, S.L.U.  
C/Margarita Salas 10  
28919 Leganés (Madrid), Spain  
Tel: +34 91 689 80 94  
E-mail: info@arquimea.com

